
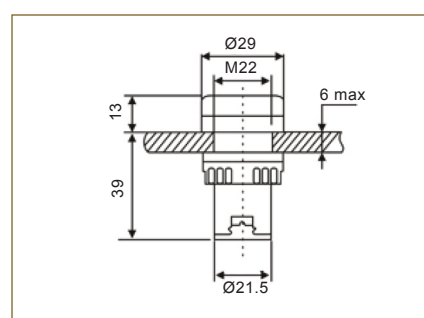


22mm panel audible indicators

Product overview

- Flashing/audible indicator
- Low power and efficient LED technology
- Piezo sounder
- Up to 400% more efficient than traditional incandescent indicators
- Back of panel lock nut fixing
- Screw clamp terminals
- IP65 rated (front of panel)
- Space efficient short body style
- 2 voltage options
-  approved

SPECIFICATION	
Colour	Red
Voltage	24V, 230V
Sound	75-120dB
Flash frequency	1Hz
Wavelength Red	6600nM
Current rating	20mA
Operating temperature	-25°C+55°C
Relative humidity	≤85%
Life expectancy	30000 hours
Material: Plastic enclosure	PBT
Material: Legend plate	PBT
Flammability rating	UL94-V0



PART NO.	CBPIFLB22	-XXX/	XX
CBPIFLB22 series indicator	CBPIFLB22		
24V	24		
230V	230		
Short body	RD		

E.g. CBPIFLB22-24/SH - 24V short body audible indicator

KEY FEATURES

Piezo sounder | Space saving body | IP65 from front of panel